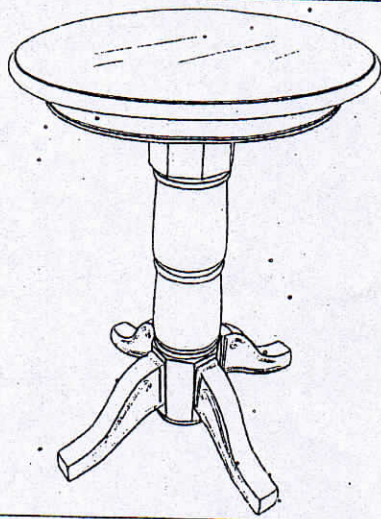






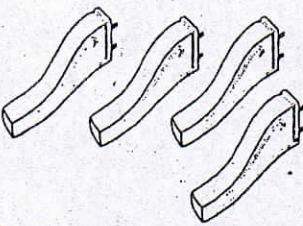
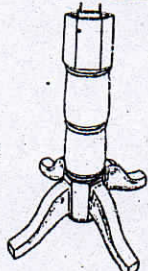
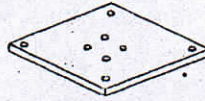

ASSEMBLY INSTRUCTIONS

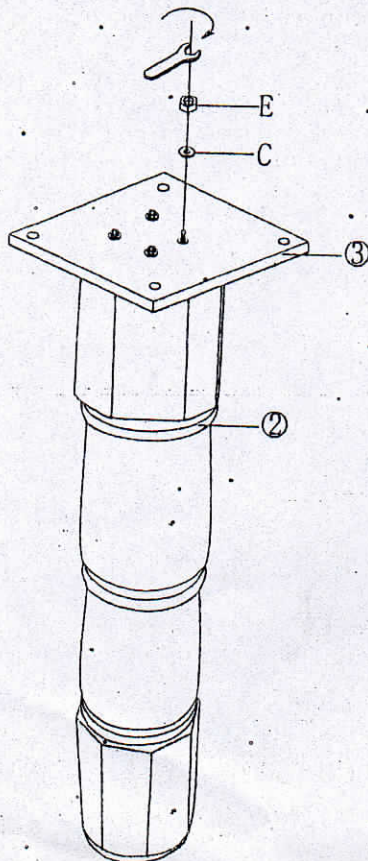


HARDWARE LIST

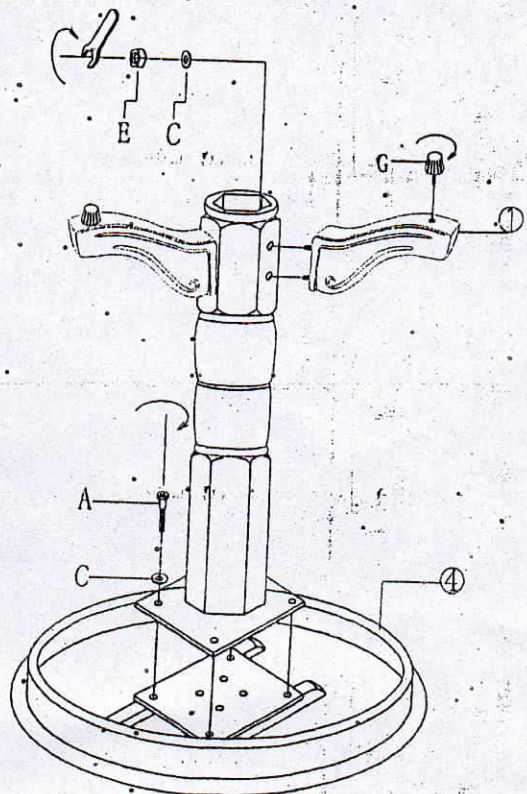
A	Bolt: 4pcs	
C	Flat washer 16pcs	
E	Nut 12pcs	
G	Adjustable leveler 4pcs	

PARTS LIST

①: Leg 4PCS	②: Ornament 1PC	③: Panel 1PC	④: Top 1PC
			



STEP#1



STEP#2